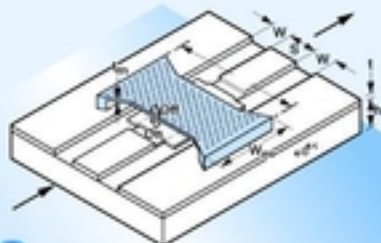
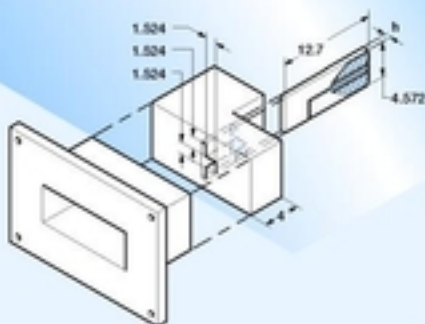
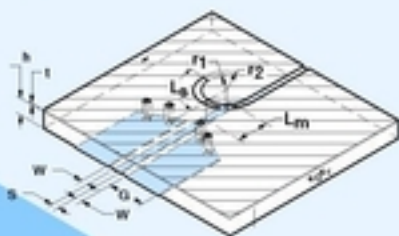
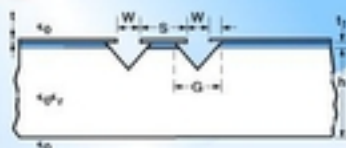
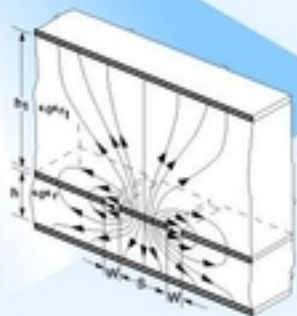


COPLANAR WAVEGUIDE CIRCUITS, COMPONENTS, AND SYSTEMS



RAINEE N. SIMONS

Wiley Series in Microwave and Optical Engineering
Kai Chang, Series Editor